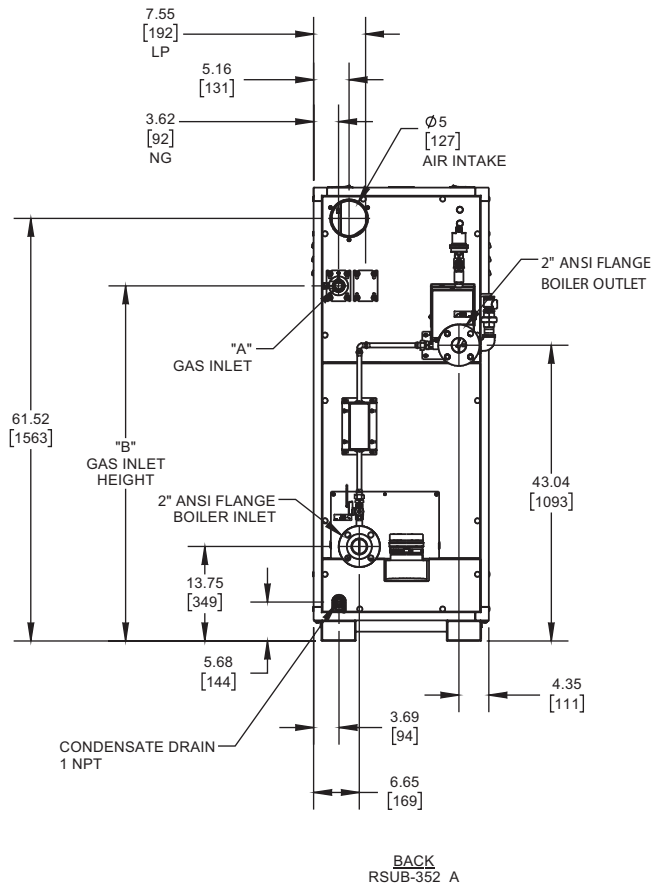
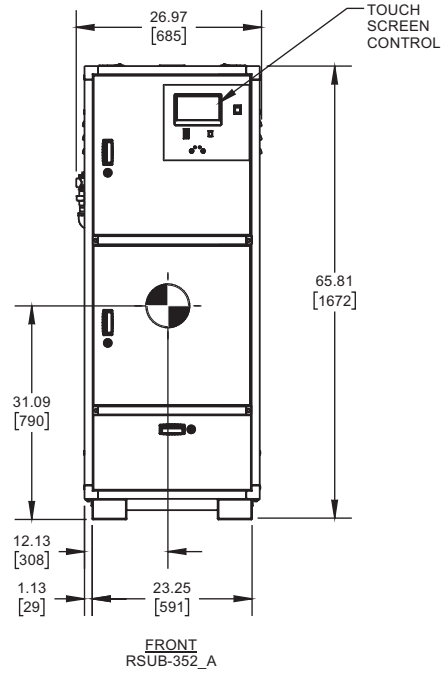
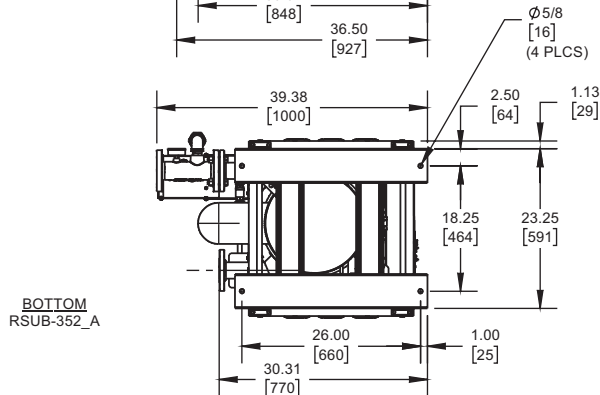
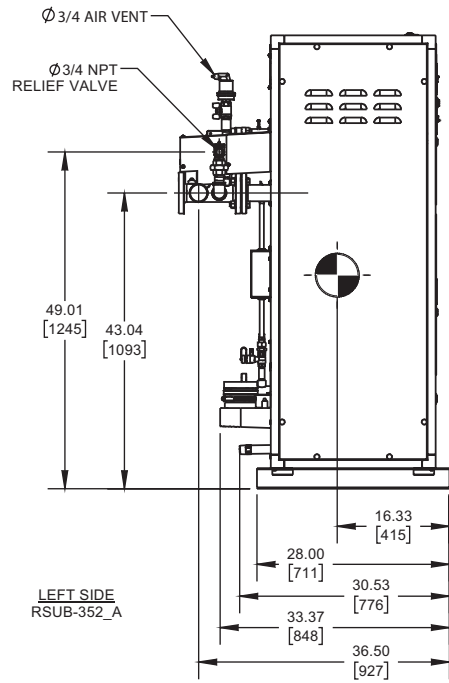
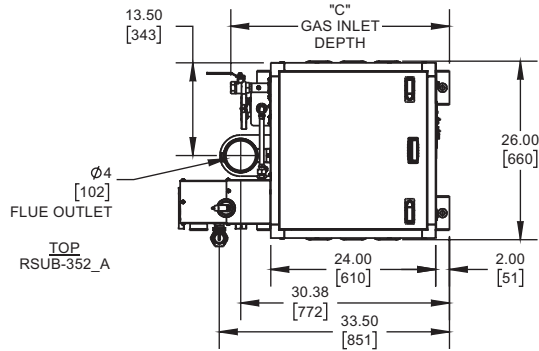


ENCORE 400

Category II or Category IV Appliance
(see Installation and Operation Manual for venting information)

INDOOR UNIT



GAS OPTION	"A"	"B"	kPa
NG	1 NPT	51.70	31.82
LP	3/4 NPT	51.70	31.91

Notes:

1. Dimensions are approximate and should not be used to "rough-in" equipment.
2. Dimensions are subject to change without notice.
3. All dimensions are in inches [mm].
4. ● Symbol indicates center of gravity.

BOILER CERTIFIED RATINGS & CAPACITIES

Fuel Type	Natural/Propane Gas	Boiler FLA	11.2*
Input BTU/hr.	399,000 / 117 KW	Boiler HP	11.7
Output BTU/hr.	391,818 / 115 KW	Min. Gas Pressure Required	4" W.C.
Electrical Requirements	120 VAC/60 Hz/1PH (with neutral)	Max. Gas Pressure Allowed	14" W.C.
		Operating Weight	612 lbs. / 277.6 kg.

BOILER TRIM & CONTROLS

Main Gas Valve	Dungs MBC	Air Switch	Huba
Ignition Control	Fenwal	Flow Sensor	SIKA
Operating Control	HeatNet®	Blocked Flue Switch	Cleveland NS2
High Limit	Jumo	Blower Motor	Ametek
Relief Valve	3/4" x 3/4" set @ 50 psi	L.W.C.O.	800

A.S.M.E.

ASME Sect IV Fire Side Htg Surface	55.31 Sq. Ft. / 5.13 Sq. M.	Design Data	Max. 160 psig & 210°F
ASME Sect IV Water Side Htg Surface	77.72 Sq. Ft. / 7.22 Sq. M.	Water Volume	13.4 gal. / 50.7 Liters

* Add circulator amps.

BOILER TEMPERATURE RISE / PRESSURE DROP (Based on Full Input)

20°F / 11.1°C				30°F / 16.7°C				40°F / 22.2°C				50°F / 27.8°C				60°F / 33.3°C			
Flow Rate		Pressure Drop		Flow Rate		Pressure Drop		Flow Rate		Pressure Drop		Flow Rate		Pressure Drop		Flow Rate		Pressure Drop	
GPM	L/s	Ft	kPa	GPM	L/s	Ft	kPa	GPM	L/s	Ft	kPa	GPM	L/s	Ft	kPa	GPM	L/s	Ft	kPa
39.2	2.5	3.6	10.9	26.1	1.6	2.9	8.6	19.6	1.2	2.6	7.7	15.7	1.0	2.4	7.2	13.1	0.8	2.3	6.8

Flow GPM				Temp. Rise** (°F)				Vent Length (Equiv. Ft.)				Air Inlet Length (Equiv. Ft.)			
Min		Max		Min		Max		Min		Max		Min		Max	
13.1		39.2		20		60		6		100		0		100	

** Min/Max delta t reflects boiler operation at full input. For applications requiring operation above/below these parameters please consult factory.

REP FIRM	_____
SUBMITTED BY	_____
JOB NAME	_____
ARCHITECT	_____
ENGINEER	_____
CONTRACTOR	_____
DATE	_____

ENCORE 400

Category II or Category IV Appliance
(see Installation and Operation Manual for venting information)

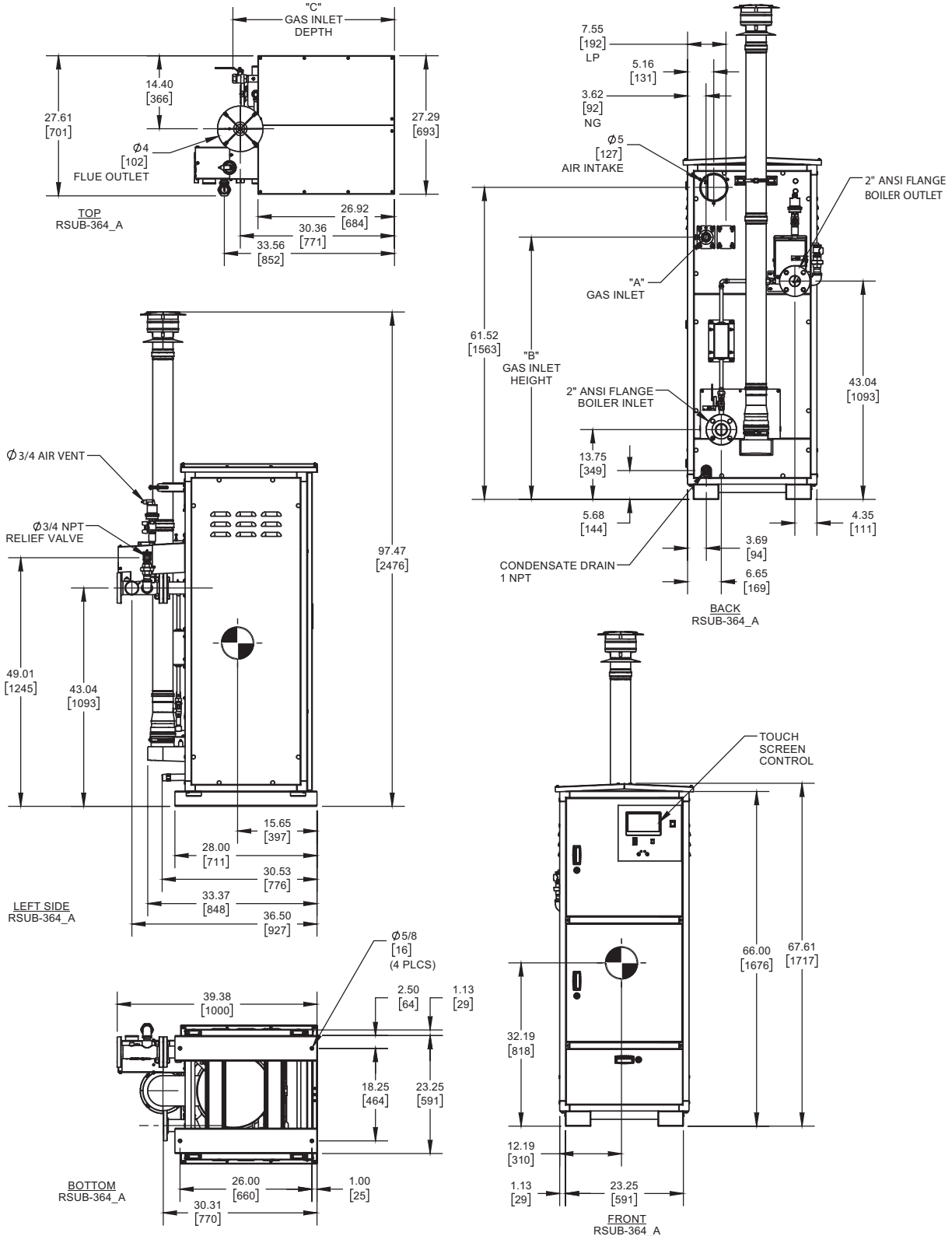


A Division of Mestek, Inc.
Westfield, MA 01085
(413) 564-5515

ENCORE 400

Category II or Category IV Appliance
(see Installation and Operation Manual for venting information)

OUTDOOR UNIT



GAS OPTION	"A"	"B"	kPa
NG	1 NPT	51.70	31.82
LP	3/4 NPT	51.70	31.91

- Notes:**
1. Dimensions are approximate and should not be used to "rough-in" equipment.
 2. Dimensions are subject to change without notice.
 3. All dimensions are in inches (mm).
 4. Symbol indicates center of gravity.

BOILER CERTIFIED RATINGS & CAPACITIES

Fuel Type	Natural/Propane Gas	Boiler FLA	11.2*
Input BTU/hr.	399,000 / 117 KW	Boiler HP	11.7
Output BTU/hr.	391,818 / 115 KW	Min. Gas Pressure Required	4" W.C.
Electrical Requirements	120 VAC/60 Hz/1PH (with neutral)	Max. Gas Pressure Allowed	14" W.C.
		Operating Weight	612 lbs. / 277.6 kg.

BOILER TRIM & CONTROLS

Main Gas Valve	Dungs MBC	Air Switch	Huba
Ignition Control	Fenwal	Flow Sensor	SIKA
Operating Control	HeatNet®	Blocked Flue Switch	Cleveland NS2
High Limit	Jumo	Blower Motor	Ametek
Relief Valve	3/4" x 3/4" set @ 50 psi	L.W.C.O.	800

A.S.M.E.

ASME Sect IV Fire Side Htg Surface	55.31 Sq. Ft. / 5.13 Sq. M.	Design Data	Max. 160 psig & 210°F
		Water Volume	13.4 gal. / 50.7 Liters
ASME Sect IV Water Side Htg Surface	77.72 Sq. Ft. / 7.22 Sq. M.		

* Add circulator amps.

BOILER TEMPERATURE RISE / PRESSURE DROP (Based on Full Input)

20°F / 11.1°C				30°F / 16.7°C				40°F / 22.2°C				50°F / 27.8°C				60°F / 33.3°C			
Flow Rate		Pressure Drop		Flow Rate		Pressure Drop		Flow Rate		Pressure Drop		Flow Rate		Pressure Drop		Flow Rate		Pressure Drop	
GPM	L/s	Ft	kPa	GPM	L/s	Ft	kPa	GPM	L/s	Ft	kPa	GPM	L/s	Ft	kPa	GPM	L/s	Ft	kPa
39.2	2.5	3.6	10.9	26.1	1.6	2.9	8.6	19.6	1.2	2.6	7.7	15.7	1.0	2.4	7.2	13.1	0.8	2.3	6.8

Flow GPM				Temp. Rise** (°F)				Vent Length (Equiv. Ft.)				Air Inlet Length (Equiv. Ft.)			
Min		Max		Min		Max		Min		Max		Min		Max	
13.1		39.2		20		60		6		100		0		100	

** Min/Max delta t reflects boiler operation at full input. For applications requiring operation above/below these parameters please consult factory.

REP FIRM	_____	<h1 style="margin: 0;">ENCORE 400</h1> <p style="margin: 5px 0;">Category II or Category IV Appliance (see Installation and Operation Manual for venting information)</p>  <p style="margin: 0;">A Division of Mestek, Inc. Westfield, MA 01085 (413) 564-5515</p> <p style="margin: 0; font-size: small;">RELIABLE. BOLD. INNOVATIVE.</p>
SUBMITTED BY	_____	
JOB NAME	_____	
ARCHITECT	_____	
ENGINEER	_____	
CONTRACTOR	_____	
DATE	_____	